



# 3,000 LBS WINCHES

NEW ITEMS IN BLUE | UPDATED APPLICATIONS IN RED

**BRONCO**<sup>®</sup>  
ATV & UTV COMPONENTS

GENERATION I WINCH

GENERATION II WINCH

## AC-12016 SERIES



## AC-12019 SERIES



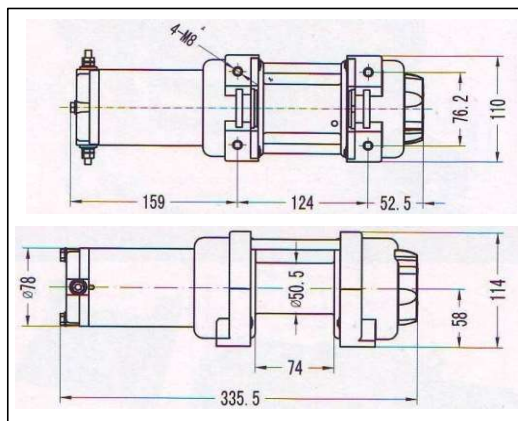
ALL WINCHES INCLUDE A UNIVERSAL MOUNTING BRACKET, HARDWARE, HANDLEBAR SWITCH, AND ELECTRICAL CONNECTIONS AS FEATURED BELOW



AC-12016  
AC-12019  
WIRED TYPE



AC-12016-1  
AC-12019-1  
WIRELESS TYPE



### SPECIFICATIONS

<b>RATED LINE PULL</b>	3,000 LBS. (1,360KGS.) SINGLE-LINE
<b>MOTOR</b>	12V DC, 1.0HP (770W) PERMANENT MAGNET
<b>CONTROLS</b>	HANDLEBAR MOUNTED MINI-ROCKER SWITCH
<b>GEARING</b>	3-STAGE PLANETARY
<b>CLUTCH ( FREESPPOOLING )</b>	CAM ACTIVATED
<b>BRAKE</b>	MECHANICAL BRAKE
<b>DRUM DIAMETER/ LENGTH</b>	20" /2.9"
<b>ROPE ( in X ft ) ( mm X m )</b>	AC-12016 SERIES: STEEL WIRE, 3/16" X 50' ( 4.8MM X 15.2M )
	AC-12019 SERIES: SYNTHETIC ROPE, 3/14" X 33' ( 5.5MM X 10M )
<b>FAIRLEAD</b>	ROLLER
<b>GEAR RATIO</b>	136 : 1
<b>RECOMMENDED BATTERY</b>	12 AMP/HOUR MINIMUM FOR WINCHING

### PERFORMANCE DATA

LAYER	RATED LINE PULL LBS (KGS)	TOTAL ROPE ON DRUM FT (M)	LINE PULL LBS (KGS)	LINE SPEED	MOTOR (DRAW)
1	3,000 (1,361)	8.85 (2.7)	0	27ft (8.3m)	15 AMPS
2	2,561 (1,162)	19.22 (5.86)	500 (227)	20ft (6.1m)	40 AMPS
3	2,234 (1,013)	31.11 (9.48)	1,000 (454)	14ft (4.3m)	60 AMPS
4	1,981 (899)	44.52 (13.58)	2,000 (907)	9ft (2.7m)	130 AMPS
5	1,779 (807)	50.00 (15.2)	3,000 (1361)	5ft (1.5m)	190 AMPS