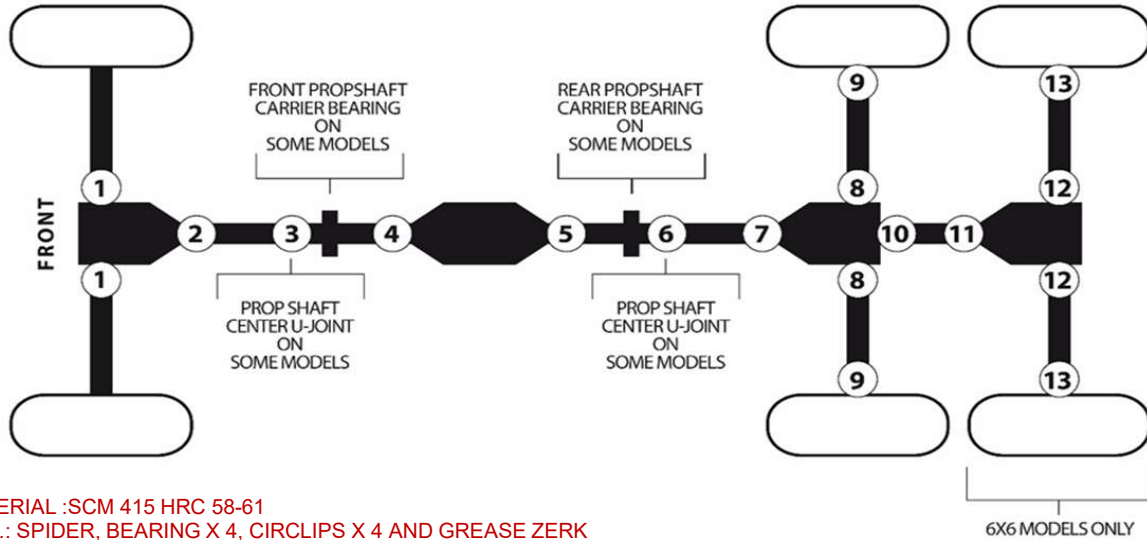




UNIVERSAL JOINTS

08

NEW ITEMS IN BLUE | UPDATED APPLICATIONS IN RED



*** MATERIAL :SCM 415 HRC 58-61

*** INCL.: SPIDER, BEARING X 4, CIRCLIPS X 4 AND GREASE ZERK

APPLICATION	YEAR	LOCATION	NI #	REF#
ARCTIC CAT				
250 4X4	2001-05	4	AT-08497	19-1009
300 4X4	1998-05	4	AT-08497	19-1009
375 4X4	2002	4	AT-08515	19-1003
400 4X4	1998-00	4	AT-08497	19-1009
400 4X4	2003-04	4	AT-08515	19-1003
400 4X4 W/MT	2001	4,2	AT-08497	19-1009
400 4X4 W/MT	2002	4	AT-08497	19-1009
400 FIS 4X4	2003-08	4	AT-08515	19-1003
400 FIS 4X4 W/MT	2002	4	AT-08497	19-1009
400 TBX 4X4	2004-06	4	AT-08515	19-1003
400 TRV 4X4	2007	4	AT-08515	19-1003
400 TRV FIS 4X4	2009-13	4	AT-08515	19-1003
400 VP 4X4	2005-06	4,2	AT-08515	19-1003
450 H1 4X4	2010-11	4	AT-08515	19-1003
450I EFI 4X4	2012	4	AT-08515	19-1003
450I TRV/GT EFI 4X4	2012	4	AT-08515	19-1003
454 4X4	1996-98	4	AT-08497	19-1009
500 4X4	1998-99	4	AT-08497	19-1009
500 4X4 W/AT	2000-02	4,2	AT-08497	19-1009
500 4X4 W/MT	2000-01	4,2	AT-08497	19-1009
500 AL TERRA TRV	2017	4	AT-08515	19-1003
500 EFI 4X4	2013-17	4	AT-08515	19-1003
500 FIS 4X4 W/AT	2002	2	AT-08497	19-1009
500 FIS 4X4	2003-09	2	AT-08515	19-1003
500 FIS 4X4 W/MT	2002	2	AT-08497	19-1009
500 FIS TBX 4X4	2003-06	2	AT-08497	19-1009
500 FIS TBX 4X4	2002	2,7	AT-08497	19-1009
500 FIS TRV 4X4	2008	2	AT-08515	19-1003
500 FIS TRV 4X4	2003-06	2	AT-08515	19-1003
500 TRV 4X4	2013-15	2	AT-08515	19-1003
500 XT EFI 4X4	2013	2	AT-08515	19-1003
500 XR	2015	4	AT-08515	19-1003
550 EFI 4X4	2013-14	2	AT-08515	19-1003
550 GT EFI 4X4	2012	2	AT-08515	19-1003
550 H1 FIS 4X4	2009-11	2	AT-08515	19-1003
550 TRV 4X4	2013-15	2	AT-08515	19-1003
550 TRV 4X4 W/AT	2009-11	2	AT-08515	19-1003
550 TRV XT 4X4	2013-15	4	AT-08515	19-1003
550 XT EFI 4X4	2013-15	4	AT-08515	19-1003
550 XT 4X4	2017	4	AT-08515	19-1003
550I EFI 4X4	2012	2	AT-08515	19-1003



UNIVERSAL JOINTS

NEW ITEMS IN BLUE | UPDATED APPLICATIONS IN RED

08

APPLICATION	YEAR	LOCATION	NI #	REF#
ARCTIC CAT				
550I TRV GT EFI 4X4	2012	2	AT-08515	19-1003
650 H1 4X4	2005-11	4	AT-08515	19-1003
650 H1 MUD PRO 4X4	2010-11	4	AT-08515	19-1003
650 H1 PROWLER XT 4X4	2007-09	5,7	AT-08509	19-1001
650 H1 PROWLER XT 4X4	2006	4,2	AT-08515	19-1003
650 H1 PROWLER XT 4X4	2006	5,7	AT-08509	19-1001
650 V2 4X4	2004-06	4,2	AT-08515	19-1003
650 V2 4X4	2004-06	5,7	AT-08509	19-1001
700 ALTERRA	2017-21	4	AT-08515	19-1003
700 DIESEL 4X4	2008-13	4	AT-08515	19-1003
700 EFI 4X4	2009-14	2	AT-08515	19-1003
700 EFI AUTO 4X4	2007-08	4,2	AT-08515	19-1003
700 GT EFI 4X4	2012	4	AT-08515	19-1003
700 H1 EFI 4X4	2008-11	4	AT-08515	19-1003
700 H1 MUD PRO 4X4	2009-11	4	AT-08515	19-1003
700 H1 TRV 4X4	2009-11	2	AT-08515	19-1003
700 H1 TRV 4X4	2008	4,2	AT-08515	19-1003
700 LTD EFI 4X4	2013-14	2	AT-08515	19-1003
700 XT 4X4	2013	2,4,5,7	AT-08497	19-1009
700I DIESEL EFI 4X4	2012-13	4	AT-08515	19-1003
700I MUD PRO 4X4	2012-17	2	AT-08515	19-1003
700 TBX	2014-17	4	AT-08515	19-1003
700I TRV CRUSIER EFI 4X4	2012	2	AT-08515	19-1003
700I TRV GT EFI 4X4	2012	2	AT-08515	19-1003
700 TRV LTD	2014-15	4	AT-08515	19-1003
700 TRV SE	2016	4	AT-08515	19-1003
700 TRV XT	2014-15	4	AT-08515	19-1003
700 XT	2014	4	AT-08515	19-1003
1000 ALTERRA TRV XT	2017	2,4,5,7	AT-08515	19-1003
1000 CRUISER 4X4	2012	2,4,5,7	AT-08497	19-1009
1000 H2 MUD PRO 4X4	2010-17	2,4,5,7	AT-08497	19-1009
1000 H2 THUNDERCAT 4X4	2009-11	2,4,5,7	AT-08497	19-1009
1000 H2 THUNDER CAT 4X4	2008	4,2	AT-08515	19-1003
1000 H2 THUNDER CAT 4X4	2008	5,7	AT-08497	19-1009
1000 TRV GT 4X4	2012	2,4,5,7	AT-08497	19-1009
1000 TRV LTD 4X4	2013	2,4,5,7	AT-08497	19-1009
1000 XT 4X4	2013-17	2,4,5,7	AT-08497	19-1009
1000I GT 4X4	2012	2,4,5,7	AT-08497	19-1009
1000I MUD PRO LTD 4X4	2012-13	2,4,5,7	AT-08497	19-1009
UTV				
500 PROWLER HDX STD/LTD/XT	2014-15	4	AT-08497	19-1009
700 PROWLER HDX LTD/XT	2014-16	5,7	AT-08497	19-1009
1000 H2 PROWLER XTZ 4X4	2009	2,4,5,7	AT-08497	19-1009
1000 PROWLER XTZ 4X4	2010-13	4,2	AT-08497	19-1009

CAN AM - BOMBARDIER				
330 OUTLANDER 2X4	2004-05	5,7	AT-08532	19-1008
330 OUTLANDER 4X4	2004-05	5,7	AT-08532	19-1008
400 OUTLANDER 2X4	2003-05	5,7	AT-08532	19-1008
400 OUTLANDER 4X4/MAX	2006-14	2,4	AT-08532	19-1008
400 OUTLANDER 4X4/MAX	2006-14	5,7	AT-08533	19-1017
450 OUTLANDER 4X4/MAX	2014-22	2,4	AT-08532	19-1008
450 OUTLANDER L MAX	2015-16	2,4	AT-08532	19-1008
450 OUTLANDER L MAX	2015-16	5,7	AT-08533	19-1017
500 OUTLANDER 4X4/MAX	2013	5,7	AT-08533	19-1017
500 OUTLANDER 4X4/MAX	2007-15	4	AT-08532	19-1008
500 OUTLANDER 4X4/MAX	2007-15	5,7	AT-08533	19-1017
500 QUEST 4X4	2002-03	2,4,5	AT-08532	19-1008
500 QUEST 4X4	2004	5	AT-08532	19-1008
500 RENEGADE 4X4	2008-12	4	AT-08532	19-1008
500 RENEGADE 4X4	2008-12	5,7	AT-08533	19-1017



UNIVERSAL JOINTS

08

NEW ITEMS IN BLUE | UPDATED APPLICATIONS IN RED

APPLICATION	YEAR	LOCATION	NI #	REF#
CAN AM - BOMBARDIER				
500 RENEGADE 4X4	2013-15	5,7	AT-08533	19-1017
500 TRAXTER 4X4	1999-05	245	AT-08532	19-1008
570 OUTLANDER STD/DPS/XT/HUNTING ED	2016-21	5,7	AT-08533	19-1017
570 OUTLANDER L STD/DPS/HUNTER ED/LE	2016	2,4	AT-08532	19-1008
570 OUTLANDER L STD/DPS/HUNTER ED/LE	2016	5,7	AT-08533	19-1017
570 OUTLANDER MAX STD/DPS/XT	2016-21	5,7	AT-08533	19-1017
570 OUTLANDER MAX L STD/DPS	2016	2,4	AT-08532	19-1008
570 OUTLANDER MAX L STD/DPS	2016	5,7	AT-08533	19-1017
570 OUTLANDER XMR	2017-21	5,7	AT-08533	19-1017
570 OUTLANDER XMR	2016	2,4	AT-08532	19-1008
570 OUTLANDER XMR	2016	5,7	AT-08533	19-1017
570 RENEGADE	2016-19	5,7	AT-08533	19-1017
570 RENEGADE XMR	2017-19	5,7	AT-08533	19-1017
650 OUTLANDER 4X4/MAX	2006-12	4	AT-08532	19-1008
650 OUTLANDER 4X4/MAX	2006-12	5,7	AT-08533	19-1017
650 OUTLANDER MAX DPS / XT / NORTH ED.	2013-21	5,7	AT-08533	19-1017
650 OUTLANDER XMR	2013-21	5,7	AT-08533	19-1017
650 OUTLANDER 6X6	2015-16	5,7	AT-08533	19-1017
650 OUTLANDER 6X6	2019-21	5,7	AT-08533	19-1017
650 QUEST 4X4	2002-03	2,4	AT-08532	19-1008
650 QUEST 4X4	2002-03	5	AT-08533	19-1017
650 QUEST 4X4	2004	5	AT-08533	19-1017
800 OUTLANDER 4X4/MAX	2006-11	4	AT-08532	19-1008
800 OUTLANDER 4X4/MAX	2006-11	5,7	AT-08533	19-1017
800 OUTLANDER 4x4 STD/DPS/XT/XT-P	2012-15	5,7	AT-08533	19-1017
800 OUTLANDER XMR	2015	5,7	AT-08533	19-1017
800 RENEGADE 4X4	2007-11	4	AT-08532	19-1008
800 RENEGADE 4X4	2007-11	5,7	AT-08533	19-1017
800 RENEGADE 4X4	2012-15	5,7	AT-08533	19-1017
850 OUTLANDER STD / DPS / XT / XT-P / NORTH	2016-21	5,7	AT-08533	19-1017
850 OUTLANDER MAX XT / XT-P / NORTH	2016-18	5,7	AT-08533	19-1017
850 OUTLANDER XMR	2016-21	5,7	AT-08533	19-1017
850 RENEGADE/MAX (EXCEPT '17 XMR)	2016-21	5,7	AT-08533	19-1017
1000 OUTLANDER 4X4/MAX	2012-21	5,7	AT-08533	19-1017
1000 OUTLANDER XMR	2013-21	5,7	AT-08533	19-1017
1000 OUTLANDER XXC	2018-21	5,7	AT-08533	19-1017
1000 OUTLANDER MAX XT/XT-P/LTD/DPS	2012-21	5,7	AT-08533	19-1017
1000 OUTLANDER 6X6	2018	5,7	AT-08533	19-1017
1000 OUTLANDER 6X6	2018	10,11	AT-08533	19-1017
1000 OUTLANDER 6X6	2019-21	5,7	AT-08533	19-1017
1000 RENEGADE 4X4*	2012-15	5,7	AT-08533	19-1017
1000 RENEGADE 4X4 STD	2012-21	5,7	AT-08533	19-1017
1000 RENEGADE 4X4 XMR/XCC	2013-21	5,7	AT-08533	19-1017
UTV				
500 HD5 TRAXTER	2018-19	2,4	AT-08529	19-1008
800 COMMANDER 4X4/MAX	2011-13	2,4	AT-08532	19-1008
800 COMMANDER 4X4/MAX	2011-13	5,7	AT-08533	19-1017
800 COMMANDER 4X4/MAX	2014-15	2,4	AT-08533	19-1017
DEFENDER 800 HD8 MAX STD / DPS / XT	2016-21	2,4	AT-08529	19-1008
DEFENDER 800 HD8 MAX STD / DPS / XT	2016-21	2,3,4	AT-08529	19-1008
800 MAVERICK TRAIL STD / DPS	2018-21	2,4	AT-08529	19-1008
TRAXTER HD8	2016-21	2,4	AT-08529	19-1008
900 HO MAVERICK X3	2018	2,4	AT-08529	19-1008
1000 COMMANDER DPS/HUNTER/LTD/XT/XT-P	2017-22	2,4	AT-08532	19-1008
1000 COMMANDER DPS/HUNTER/LTD/XT/XT-P	2017-20	5,7	AT-08533	19-1017
1000 COMMANDER DPS/HUNTER/LTD/XT/XT-P	2016	2,4	-	
1000 COMMANDER DPS/HUNTER/LTD/XT/XT-P	2016	5,7	AT-08533	19-1017
1000 COMMANDER STD/DPS/LTD/XT/XT-P	2013-15	2,4	AT-08532	19-1006
1000 COMMANDER STD/DPS/LTD/XT/XT-P	2013-15	5,7	AT-08533	19-1017
1000 COMMANDER MAX Std/DPS/XT	2014-15	2,3,4	AT-08532	19-1006
1000 COMMANDER MAX Std/DPS/XT	2014-15	5,7	AT-08533	19-1017



UNIVERSAL JOINTS

08

NEW ITEMS IN BLUE | UPDATED APPLICATIONS IN RED

APPLICATION	YEAR	LOCATION	NI #	REF#
CAN AM - BOMBARDIER				
UTV				
1000 COMMANDER MAX DPS/XT	2016	2,3,4	-	
1000 COMMANDER MAX DPS/XT	2016	5,7	AT-08533	19-1017
1000 COMMANDER MAX DPS/XT/Ltd	2017-20	2,3,4	AT-08532	19-1006
1000 COMMANDER MAX DPS/XT/Ltd	2017-20	5,7	AT-08533	19-1017
1000 MAVERICK/MAX ALL	2014-18	2,4	AT-08532	19-1008
1000 MAVERICK/MAX ALL	2014-18	5,7	AT-08533	19-1017
TRAXTER HD10	2018-21	2,4	AT-08529	19-1008
1000 MAVERICK SPORT ALL	2019-22	2,4	AT-08529	19-1008
1000 MAVERICK TRAIL ALL	2019-21	2,4	AT-08529	19-1008
MAVERICK X3 STD/XDS/XRS	2017	2,3,4	AT-08529	19-1008
MAVERICK X3 STD TURBO (120HP)	2018-20	2,4	AT-08529	19-1008
MAVERICK X3 XMR TURBO (120HP)	2018-20	2,4	AT-08529	19-1008
MAVERICK X3 XRC TURBO (120HP)	2018-20	2,4	AT-08529	19-1008
MAVERICK X3 STD/XDS/XRS TURBO R (172HP)	2018-20	2,4	AT-08529	19-1008
MAVERICK X3 XMR TURBO R (172HP)	2018-20	2,4	AT-08529	19-1008
MAVERICK X3 XRC TURBO R (172HP)	2018-20	2,4	AT-08529	19-1008
MAVERICK MAX X3 STD/XDS/XRS	2017	2,3,4	AT-08529	19-1008
MAVERICK MAX X3 STD TURBO (120HP)	2018-20	2,3,4	AT-08529	19-1008
MAVERICK MAX X3 XDS/XRS TURBO (172HP)	2018-20	2,3,4	AT-08529	19-1008
1000 HD10 DEFENDER STD/DPS/HUNTER/XT	2016-22	2,4	AT-08529	19-1008
1000 HD10 DEFENDER XMR	2018-22	2,4	AT-08529	19-1008
1000 HD10 DEFENDER MAX DPS/XT/XT CAB	2016-22	2,4	AT-08529	19-1008

CF MOTO				
CFORCE 500 HO CF500AU-6L	2017-18		AC-08101	
CFORCE 500 SWB	2013-16		AC-08103	
CFORCE 600 CF600AU-L	2019		AC-08101	
CFORCE 600 LWB	2013-14		AC-08103	
CFORCE 800 CF800-2	2017		AC-08101	
UTV				
UFORCE 500 CF500UU	2017-20		AC-08101	
ZFORCE 500 CF500US	2016-22		AC-08103	
ZFORCE 600 CF600-3	2012-15		AC-08102	
ZFORCE 600 CF600-6	2013		AC-08102	
UFORCE 600 CF600-5	2013-14		AC-08103	
UFORCE 800 EPS CF800-3EPS	2017		AC-08101	
UFORCE 800-3	2018-22		AC-08101	
ZFORCE 800 EX CF800	2016-22		AC-08103	
ZFORCE 800 Trail ZF800	2015-16		AC-08103	
ZFORCE 800 Trail CF800US-A	2017-22		AC-08103	

KAWASAKI				
300 BAYOU 4X4	1989-04	2,4	AT-08531	19-1010
300 PRAIRIE 2X4	1999-02	7	AT-08513	19-1002
300 PRAIRIE 4X4	1999-02	2,4	AT-08535	19-1007
300 PRAIRIE 4X4	2003-09	5	AT-08513	19-1002
360 PRAIRIE 2X4	2003-09	7	AT-08534	19-1004
360 PRAIRIE 4X4	2003-12	5	AT-08534	19-1004
400 BAYOU 4X4	1993-99	2,4	AT-08535	19-1007
400 PRAIRIE 2X4	1998-02	7	AT-08513	19-1002
400 PRAIRIE 4X4	1997-02	2,4	AT-08535	19-1007
650 BRUTE FORCE 4X4	2005-13	5	AT-08534	19-1004
650i BRUTE FORCE 4X4	2006-13	5,7	AT-08534	19-1004
650 PRAIRIE 4X4	2002-03	5	AT-08534	19-1004
700 KFX700	2004-09	7	AT-08534	19-1004
700 PRAIRIE 4X4	2004-06	5	AT-08534	19-1004
750i BRUTE FORCE 4X4	2005-22	5,7	AT-08534	19-1004
UTV				
MULE 1000 2X4 (KAF450)	1988	13	AT-08513	19-1002
MULE 2500 2X4 (KAF20)	1994-00	12,13	AT-08497	19-1009



UNIVERSAL JOINTS

08

NEW ITEMS IN BLUE | UPDATED APPLICATIONS IN RED

APPLICATION	YEAR	LOCATION	NI #	REF#
KAWASAKI				
UTV				
MULE 2500 2X4 (KAF20)	1994-00	1	AT-08497	19-1009
MULE 2510 (KAF620)	1993-99	1	AT-08497	19-1009
MULE 2510 (KAF620)	1993-99	5,6,7	AT-08531	19-1010
MULE 2510 (KAF620)	1993-99	12,13	AT-08497	19-1009
MULE 2510 (KAF620)	1997-98/00	8	AT-08497	19-1009
MULE 2510 (KAF620)	2000-02	5,6,7	AT-08513	19-1002
MULE 2510 (KAF620)	2000-02	8,9	AT-08497	19-1009
MULE 2520 (KAF620)	1993-09	8,9	AT-08497	19-1009
MULE 2510 DIESEL (KAF950)	1997-98	8	AT-08497	19-1009
MULE 2510 DIESEL (KAF950)	2000-02	5,6,7	AT-08513	19-1002
MULE 2510 DIESEL (KAF950)	2000-02	12,13	AT-08497	19-1009
MULE 3000 (KAF620)	2001-08	8,9	AT-08497	19-1009
MULE 3010 4X4 (KAF620)	2001-08	5,6,7	AT-08513	19-1002
MULE 3010 4X4 (KAF620)	2001-08	2,3,4	AT-08539	49050-1075
MULE 3010 4X4 (KAF620)	2001-08	8,9	AT-08497	19-1009
MULE 3010 TRANS 4X4 DIESEL (KAF950)	2008	8	AT-08497	19-1009
MULE 3010 DIESEL 4X4 (KAF950)	2001-08	5,6,7	AT-08513	19-1002
MULE 3010 DIESEL 4X4 (KAF950)	2001-08	2,3,4	AT-08539	49050-1075
MULE 3010 DIESEL 4X4 (KAF950)	2001-08	8,9	AT-08497	19-1009
MULE 3010 TRANS 4X4 DIESEL (KAF950)	2001-08	8	AT-08497	19-1009
MULE 3020 (KAF620)	2001-03	8,9	AT-08497	19-1009
MULE 4000 (KAF620)	2009-22	8,9	AT-08497	19-1009
MULE 4000 TRANS (KAF620)	2018-21	8,9	AT-08497	19-1009
MULE 4010 4X4 (KAF620)	2009-15	8,9	AT-08497	19-1009
MULE 4010 4X4 (KAF620)	2009-15	5,6,7	AT-08513	19-1002
MULE 4010 4X4 (KAF620)	2009-15	2,3,4	AT-08539	49050-1075
MULE 4010 DIESEL 4X4 (KAF950)	2009-13	8,9	AT-08497	19-1009
MULE 4010 DIESEL 4X4 (KAF950)	2009-13	5,6,7	AT-08539	19-1002
MULE PRO-FX	2016-22	4	AT-08497	19-1009
MULE PRO-FX EPS	2016-22	4	AT-08497	19-1009
MULE PRO-FX LE EPS	2016-22	4	AT-08497	19-1009
MULE PRO-FXR	2018-20	4	AT-08497	19-1009
MULE PRO-FXT	2015-20	4	AT-08497	19-1009
MULE PRO-FXT EPS	2015-20	4	AT-08497	19-1009
MULE PRO-FXT LE EPS	2015-20	4	AT-08497	19-1009
MULE PRO-FXT Ranch Edition	2016-22	4	AT-08497	19-1009
MULE PRO-DX DIESEL	2016-18	4	AT-08497	19-1009
MULE PRO-DX DIESEL EPS	2016-17	4	AT-08497	19-1009
MULE PRO-DX DIESEL LE EPS	2016-17	4	AT-08497	19-1009
MULE PRO-DXT DIESEL	2016-18	4	AT-08497	19-1009
MULE PRO-DXT DIESEL EPS	2016-17	4	AT-08497	19-1009
MULE PRO-DXT DIESEL LE EPS	2016-17	4	AT-08497	19-1009
MULE 610 4X4 STD/SE (KAF400)	2005-16	2,4,5,7	AT-08513	19-1002
MULE 610 4X4 XC / XC SE (KAF400)	2005-16	2,4,5,7	AT-08513	19-1002
MULE SX / SX SE 4x4	2017-21	5,7	AT-08513	19-1002
MULE SX XC / SX XC SE 4x4	2017-22	5,7	AT-08513	19-1002
TERYX (KRT750)	2008-13	5,7	AT-08496	19-1019
TERYX (KRT750)	2008-13	2,4	AT-08497	19-1009
TERYX 4 (KRT750)	2012-13	5,7	AT-08496	19-1019
TERYX (KRF800)	2014-22	2,4	AT-08497	19-1009
TERYX (KRF800)	2014-21	5,7	AT-08496	19-1019
TERYX 4 (KRT800)	2014-22	2,4	AT-08497	19-1009
TERYX 4 (KRT800)	2014-22	5,7	AT-08496	19-1019
TERYX 4 (KRT800)	2014-22	1	AT-08497	19-1009
TERYX 1000 (KRT1000)	2020-21	2,4	AT-08497	19-1009
KUBOTA				
RTV900	2008-11	8	AT-08492	19-1018



UNIVERSAL JOINTS

08

NEW ITEMS IN BLUE | UPDATED APPLICATIONS IN RED

APPLICATION	YEAR	LOCATION	NI #	REF#
POLARIS				
250 4X4	1990,93	1	AT-08503	19-1005
250 6X6	1993	1	AT-08503	19-1005
250 BIG BOSS 6X6	1991-92	1	AT-08503	19-1005
250 TRAIL BOSS 4X4	1987-92	1	AT-08503	19-1005
250 XPLOER 4X4	2000-02	1,2,4	AT-08503	19-1005
300 4X4	1994, 96	1	AT-08503	19-1005
300 4X4	1995	1	AT-08507	19-1008
300 6X6	1994	1	AT-08503	19-1005
300 HAWKEYE 2X4/4X4	2006-07	2,4	AT-08503	19-1005
300 SPORTSMAN 4X4	2008-10	2,4	AT-08503	19-1005
300 XPLOER 4X4	1996-99	1	AT-08507	19-1008
325 MAGNUM 2X4	2000-02	5	AT-08503	19-1005
325 MAGNUM 4X4	2000	1	AT-08507	19-1008
325 MAGNUM 4X4	2000	2,4,5	AT-08503	19-1005
325 MAGNUM 4X4 EXCL. HDS (VISCO-LOCK)	2001-02	1	AT-08507	19-1008
325 MAGNUM 4X4 EXCL. HDS (VISCO-LOCK)	2001-02	2,4,5	AT-08503	19-1005
325 MAGNUM 4X4 HDS (VISCO-LOCK)	2001-02	5	AT-08503	19-1005
325 XPEDITION 4X4	2000-02	1	AT-08507	19-1008
325 XPEDITION 4X4	2000-02	2,4,5	AT-08503	19-1005
325 SPORTSMAN ETX	2015	2,4	AT-08503	19-1005
330 ATP 4X4	2004-05	1,2,4	AT-08503	19-1005
330 ATP 4X4	2004-05	5	AT-08507	19-1008
330 MAGNUM 2X4	2003-05	5	AT-08507	19-1008
330 MAGNUM 4X4	2005-06	2,4	AT-08503	19-1005
330 MAGNUM 4X4	2005-06	5	AT-08507	19-1008
330 MAGNUM 4X4 EXCL. HDS (VISCO-LOCK)	2003-04	1,2,4	AT-08503	19-1005
330 MAGNUM 4X4 EXCL. HDS (VISCO-LOCK)	2003-04	5	AT-08507	19-1008
330 MAGNUM 4X4 HDS (VISCO-LOCK)	2003-04	2,4	AT-08503	19-1005
330 MAGNUM 4X4 HDS (VISCO-LOCK)	2003-04	5	AT-08507	19-1008
335 SPORTSMAN 4X4	1999-00	1	AT-08507	19-1008
335 SPORTSMAN 4X4	1999-00	2,4	AT-08503	19-1005
335 SPORTSMAN 4X4	1999-00	9	AT-08502	19-1012
335 SPORTSMAN 4X4	1999-00	8	AT-08501	19-1011
335 WORKER 4X4	1999	1	AT-08507	19-1008
335 WORKER 4X4	1999	2,4	AT-08503	19-1005
335 WORKER 4X4	1999	9	AT-08502	19-1012
335 WORKER 4X4	1999	8	AT-08501	19-1011
350L 4X4	1990, 93	1	AT-08503	19-1005
350L 6X6	1993	1	AT-08503	19-1005
350L TRAIL BOSS 4X4	1990-92	1	AT-08503	19-1005
400 4X4	1994	1	AT-08503	19-1005
400 6X6	1994	1	AT-08503	19-1005
400 6X6 W/INSIDE LOCK RINGS	1995	1	AT-08503	19-1005
400 6X6 W/OUTSIDE LOCK RINGS	1995	1	AT-08507	19-1008
400 SCRAMBLER 4X4 W/INSIDE LOCK RINGS	1995-97	1	AT-08503	19-1005
400 SCRAMBLER 4X4 W/OUTSIDE LOCK RINGS	1995-97	1	AT-08507	19-1008
400 SCRAMBLER 4X4		2,4	AT-08503	19-1005
FRONT AXLE W/INSIDE LOCK RINGS	1998-02	1	AT-08503	19-1005
FRONT AXLE W/OUTSIDE LOCK RINGS		1	AT-08507	19-1008
400 SPORTSMAN 4X4	1993-94	1	AT-08503	19-1005
400 SPORTSMAN 4X4	1997	1	AT-08507	19-1008
400 SPORTSMAN 4X4	2001	2,4	AT-08503	19-1005
400 SPORTSMAN 4X4	2002-04	1,2,4	AT-08503	19-1005
400 SPORTSMAN 4X4	2005	2,4	AT-08503	19-1005
400 SPORTSMAN 4X4 W/INSIDE LOCK RINGS	1995-96	1	AT-08503	19-1005
400 SPORTSMAN 4X4 W/OUTSIDE LOCK RINGS	1995-96	1	AT-08507	19-1008
400 SPORTSMAN HO 4X4	2008-13	2,4	AT-08503	19-1005
400 XPLOER 4X4	1997-98	1	AT-08507	19-1008
400 XPLOER 4X4	1999-02	1,2,4	AT-08503	19-1005
400 XPLOER 4X4 W/INSIDE LOCK RINGS	1995-96	1	AT-08503	19-1005
400 XPLOER 4X4 W/OUTSIDE LOCK RINGS	1995-96	1	AT-08507	19-1008



UNIVERSAL JOINTS

08

NEW ITEMS IN BLUE | UPDATED APPLICATIONS IN RED

APPLICATION	YEAR	LOCATION	NI #	REF#
POLARIS				
400L BIG BOSS 6X6	1997	1	AT-08507	19-1008
425 MAGNUM 4X4	1997-98	1	AT-08507	19-1008
425 MAGNUM 4X4 W/INSIDE LOCK RINGS	1995-96	1	AT-08503	19-1005
425 MAGNUM 4X4 W/OUTSIDE LOCK RINGS	1995-96	1	AT-08507	19-1008
425 MAGNUM 6X6	1997	1	AT-08507	19-1008
425 MAGNUM 6X6 W/INSIDE LOCK RINGS	1996	1	AT-08503	19-1005
425 MAGNUM 6X6 W/OUTSIDE LOCK RINGS	1996	1	AT-08507	19-1008
425 XPEDITION 4X4	2000-01	1	AT-08507	19-1008
425 XPEDITION 4X4	2000-01	2,4,5	AT-08503	19-1005
425 XPEDITION 4X4	2002	1,2,4	AT-08503	19-1005
450 SPORTSMAN 4X4	2006-07	2,4	AT-08503	19-1005
450 SPORTSMAN HO 4X4	2017-22	2,4	AT-08503	19-1005
455 DIESEL 4X4 PROP SHAFT (FROM 12/07/00)		2,4	AT-08503	19-1005
FRONT AXLE W/INSIDE LOCK RINGS	2001	1	AT-08503	19-1005
FRONT AXLE W/OUTSIDE LOCK RINGS		1	AT-08507	19-1008
455 DIESEL 4X4	2000	1	AT-08507	19-1008
455 DIESEL 4X4	1999	1	AT-08507	19-1008
455 DIESEL 4X4	1999	2,4	AT-08503	19-1005
455 DIESEL 4X4	1999	9	AT-08502	19-1012
455 DIESEL 4X4	1999	8	AT-08501	19-1011
500 ATP 4X4	2004	1,2,4	AT-08503	19-1005
500 ATP 4X4	2004	5	AT-08507	19-1008
500 ATP 4X4	2005	2,4	AT-08503	19-1005
500 ATP 4X4	2005	5	AT-08507	19-1008
500 BIG BOSS 6X6	1998-99	1	AT-08507	19-1008
500 MAGNUM 4X4	1999-00	1	AT-08507	19-1008
500 MAGNUM 4X4	1999-00	2,4	AT-08503	19-1005
500 MAGNUM 4X4	2003	2,4	AT-08503	19-1005
500 MAGNUM 4X4	2003	5	AT-08507	19-1008
500 MAGNUM 4X4 EXCL. HDS (VISCO-LOCK)	2001-02	1	AT-08507	19-1008
500 MAGNUM 4X4 EXCL. HDS (VISCO-LOCK)	2001-02	2,4,5	AT-08503	19-1005
500 MAGNUM 4X4 HDS (VISCO-LOCK)	2001	2,4,5	AT-08503	19-1005
500 MAGNUM 4X4 HDS (VISCO-LOCK)	2002	5	AT-08503	19-1005
500 SCRAMBLER 4X4	1998-06	1	AT-08507	19-1008
500 SCRAMBLER 4X4	1998-06	2,4	AT-08503	19-1005
500 SCRAMBLER 4X4	1997	1	AT-08507	19-1008
500 SCRAMBLER 4X4	2010-12	2,4	AT-08503	19-1005
500 SPORTSMAN X2 4X4	2006-07	5,7	AT-08503	19-1005
500 SPORTSMAN X2 4X4	2008-09	2,4,5,7	AT-08503	19-1005
500 SPORTSMAN 4X4	1999-01	1	AT-08507	19-1008
500 SPORTSMAN 4X4	1999-01	2,4	AT-08503	19-1005
500 SPORTSMAN 4X4		2,4	AT-08503	19-1005
FRONT AXLE W/INSIDE LOCK RINGS	1996	1	AT-08503	19-1005
FRONT AXLE W/OUTSIDE LOCK RINGS		1	AT-08507	19-1008
500 SPORTSMAN 4X4	1996	9	AT-08502	19-1012
500 SPORTSMAN 4X4	1996	8	AT-08501	19-1011
500 SPORTSMAN 4X4	1997	1,2,3	AT-08503	19-1005
500 SPORTSMAN 4X4	1997	9	AT-08502	19-1012
500 SPORTSMAN 4X4	1997	8	AT-08501	19-1011
500 SPORTSMAN 4X4	1998	1	AT-08507	19-1008
500 SPORTSMAN 4X4	1998	2,4	AT-08503	19-1005
500 SPORTSMAN 4X4	1998	9	AT-08502	19-1012
500 SPORTSMAN 4X4	1998	8	AT-08501	19-1011
500 SPORTSMAN 6X6	1999-01	1	AT-08507	19-1008
500 SPORTSMAN 6X6	1999-01	2,4	AT-08503	19-1005
500 SPORTSMAN 6X6	2002-06	1,2,3	AT-08503	19-1005
500 SPORTSMAN EFI 4X4	2006-07	2,4,5,7	AT-08503	19-1005
500 SPORTSMAN EFI 4X4	2009-10	2,4	AT-08503	19-1005
500 SPORTSMAN EFI/EFI TRACTOR 4X4	2009-10	2,4,5,7	AT-08503	19-1005
500 SPORTSMAN FOREST/FOREST TRACTOR	2011-13	2,4	AT-08503	19-1005
500 SPORTSMAN HO 4X4	2001	1	AT-08507	19-1008



UNIVERSAL JOINTS

08

NEW ITEMS IN BLUE | UPDATED APPLICATIONS IN RED

APPLICATION	YEAR	LOCATION	NI #	REF#
POLARIS				
500 SPORTSMAN HO 4X4	2001	2,4	AT-08503	19-1005
500 SPORTSMAN HO 4X4	2002-03	2,4	AT-08503	19-1005
500 SPORTSMAN HO 4X4	2004	1	AT-08503	19-1005
PROP SHAFT W/INSIDE LOCK RINGS		2,4	AT-08503	19-1005
PROP SHAFT W/OUTSIDE LOCK RINGS		2,4	AT-08507	19-1008
500 SPORTSMAN HO 4X4	2005-06	2,4	AT-08503	19-1005
500 SPORTSMAN HO 4X4	2008-13	2,4	AT-08503	19-1005
500 WORKER 4X4	1999	1,2,3	AT-08507	19-1008
500 XPLOER 4X4	1997	1,2,3	AT-08503	19-1005
500 XPLOER 4X4	1997	9	AT-08502	19-1012
500 XPLOER 4X4	1997	8	AT-08501	19-1011
550 SPORTSMAN X2 (BUILT 11/22/10 & BEFORE)	2010-11	2,4,5,7	AT-08503	19-1005
550 SPORTSMAN X2 (BUILT 11/23/10 & AFTER)	2011-13	2,4	AT-08573	19-1016
550 SPORTSMAN X2 (BUILT 11/23/10 & AFTER)	2011-13	2,4,5,7	AT-08503	19-1005
550 SPORTSMAN (BUILT 11/22/10 & BEFORE)	2011	2,4,5,7	AT-08503	19-1005
550 SPORTSMAN (BUILT 11/23/10 & AFTER)	2012-13	2,4	AT-08573	19-1016
550 SPORTSMAN EPS/TOURING EPS (BUILT 11/22/10 & BEFORE)	2010-11	2,4,5,7	AT-08503	19-1005
550 SPORTSMAN EPS/TOURING EPS (BUILT 11/23/10 & AFTER)	2011-13	2,4	AT-08573	19-1016
550 SPORTSMAN EPS/TOURING EPS (BUILT 11/23/10 & AFTER)	2011-13	5,7	AT-08503	19-1005
550 SPORTSMAN FOREST (BUILT 11/22/10 & BEFORE)	2011	2,4,5,7	AT-08503	19-1005
550 SPORTSMAN FOREST (BUILT 11/23/10 & AFTER)	2011-13	2,4	AT-08573	19-1016
550 SPORTSMAN FOREST (BUILT 11/23/10 & AFTER)	2011-13	5,7	AT-08503	19-1005
550 SPORTSMAN XP EPS	2009-11	2,4,5,7	AT-08503	19-1005
550 SPORTSMAN X2/TOURING	2014	2,4	AT-08573	19-1016
550 SPORTSMAN X2/TOURING	2014	5,7	AT-08503	19-1005
550 SPORTSMAN X2	2014	2,4	AT-08573	19-1016
550 SPORTSMAN X2	2014	5,7	AT-08503	19-1005
570 SPORTSMAN STD/EPS	2014-21	2,4	AT-08503	19-1005
570 SPORTSMAN SP W/EPS	2015-21	2,4	AT-08503	19-1005
570 SPORTSMAN TOURING STD/EPS/SP	2014-22	2,4	AT-08503	19-1005
570 SPORTSMAN UTILITY ED.	2018-21	2,4	AT-08503	19-1005
570 SPORTSMAN X2 w/EPS	2015-21	2,4	AT-08503	19-1005
570 SPORTSMAN 6x6	2018-21	2,4	AT-08503	19-1005
570 SPORTSMAN 6x6	2017	2,4	AT-08503	19-1005
570 SPORTSMAN 6x6	2017	5,7	AT-08503	19-1005
600 SPORTSMAN 4X4	2003-04	1,2,4,5,7	AT-08503	19-1005
600 SPORTSMAN 4X4	2005	2,4,5,7	AT-08503	19-1005
700 SPORTSMAN EFI 4X4	2003-04	1,2,4,5,7	AT-08503	19-1005
700 SPORTSMAN EFI 4X4	2005-07	2,4,5,7	AT-08503	19-1005
700 SPORTSMAN X2 EFI 4X4	2008	2,4,5,7	AT-08503	19-1005
700 SPORTSMAN 4X4	2002--04	1,2,4,5,7	AT-08503	19-1005
700 SPORTSMAN 4X4	2005-06	2,4,5,7	AT-08503	19-1005
700 SPORTSMAN MV7 4X4	2005	2,4,5,7	AT-08503	19-1005
800 SPORTSMAN 6X6	2009-14	2,4,5,7,10,11	AT-08503	19-1005
800 SPORTSMAN EFI/HO EFI	2005-14	2,4,5,7	AT-08503	19-1005
800 SPORTSMAN X2 EFI 4X4	2007-09	2,4,5,7	AT-08503	19-1005
850 SCRAMBLER HO/HO EPS 4X4	2013	2,4	AT-08573	19-1016
850 SCRAMBLER HO/HO EPS 4X4	2013	5,7	AT-08503	19-1005
850 SCRAMBLER 4X4	2014-17	2,4	AT-08573	19-1016
850 SCRAMBLER 4X4	2014-17	5,7	AT-08503	19-1005
850 SPORTSMAN X2 4X4 (BUILT 11/22/10 & BEFORE)	2011	2,4,5,7	AT-08503	19-1005
850 SPORTSMAN X2 4X4 (BUILT 11/23/10 & AFTER)	2011	2,4	AT-08573	19-1016
850 SPORTSMAN X2 4X4 (BUILT 11/23/10 & AFTER)	2011	5,7	AT-08503	19-1005
850 SPORTSMAN EPS	2011-13	2,4	AT-08573	19-1016
850 SPORTSMAN FOREST (BUILT 11/22/10 & BEFORE)	2011	2,4,5,7	AT-08503	19-1005
850 SPORTSMAN FOREST (BUILT 11/23/10 & AFTER)	2011-13	2,4	AT-08573	19-1016
850 SPORTSMAN FOREST (BUILT 11/23/10 & AFTER)	2011-13	5,7	AT-08503	19-1005
850 SPORTSMAN TOURING EPS (BUILT 11/22/10 & BEFORE)	2010-11	2,4,5,7	AT-08503	19-1005
850 SPORTSMAN TOURING EPS (BUILT 11/23/10 & AFTER)	2011-17	2,4	AT-08573	19-1016
850 SPORTSMAN TOURING EPS (BUILT 11/23/10 & AFTER)	2011-17	5,7	AT-08503	19-1005
850 SPORTSMAN XP 4X4/EPS (BUILT 11/22/10 & BEFORE)	2009-11	2,4,5,7	AT-08503	19-1005



UNIVERSAL JOINTS

08

NEW ITEMS IN BLUE | UPDATED APPLICATIONS IN RED

APPLICATION	YEAR	LOCATION	NI #	REF#
POLARIS				
850 SPORTSMAN XP 4X4/EPS (BUILT 11/23/10 & AFTER)	2011-17	2,4	AT-08573	19-1016
850 SPORTSMAN XP 4X4/EPS (BUILT 11/23/10 & AFTER)	2011-17	5,7	AT-08503	19-1005
1000 SCRAMBLER 4X4	2014-17	2,4	AT-08573	19-1016
1000 SCRAMBLER 4X4	2014-17	5,7	AT-08503	19-1005
1000 SPORTSMAN TOURING 4X4	2015-17	2,4	AT-08573	19-1016
1000 SPORTSMAN TOURING 4X4	2015-17	5,7	AT-08503	19-1005
1000 SPORTSMAN XP 4X4	2015-17	2,4	AT-08573	19-1016
1000 SPORTSMAN XP 4X4	2015-17	5,7	AT-08503	19-1005
1000 SPORTSMAN XP HIGH LIFTER EDITION 4X4	2016-17	2,3,4	AT-08503	19-1005
UTV				
325 ACE EFI/HD	2014-15	2,4	AT-08503	19-1005
325 RANGER ETX	2015-16	2,4	AT-08503	19-1005
LSV 4X4	2010-12	2,4	AT-08503	19-1005
RANGER EV 4X4	2010-20	2,4	AT-08503	19-1005
UTV 1500 2X4 (PPS)	SERIES 11	5,7	AT-08503	19-1005
UTV 2X4/4X4/6X6	SERIES 11	1,2,4,5,7	AT-08503	19-1005
400 RANGER HO	2010-13	2,4	AT-08503	19-1005
500 ACE	2015-19	2,4	AT-08503	19-1005
500 RANGER TM 2X4	2004-06	5,7	AT-08503	19-1005
500 RANGER 2X4	2004-08	5,7	AT-08503	19-1005
500 RANGER 2X4 500 CARB	2008	5,7	AT-08503	19-1005
500 RANGER 2X4 500 CARB	2009	2,4,5,7	AT-08503	19-1005
500 RANGER 4X4	2004-09	2,4,5,7	AT-08503	19-1005
500 RANGER 4X4	2010-11	2,4	AT-08503	19-1005
500 RANGER 4X4 CREW	2012	2,4	AT-08503	19-1005
500 RANGER 6X6	1999	1,2,4,7	AT-08503	19-1005
500 RANGER 6X6	2004-05	1,2,4,7,10,11	AT-08503	19-1005
500 RANGER 6X6	2004-05	12,13	AT-08502	19-1008
500 RANGER	2019-21	2,4	AT-08503	19-1005
570 ACE EFI/HD 4X4	2015-19	2,4	AT-08503	19-1005
570 ACE SP	2015-17	2,4	AT-08503	19-1005
570 RANGER	2014-21	2,4	AT-08503	19-1005
570 RANGER CREW ALL	2014-21	2,4,5,7	AT-08503	19-1005
570-6 RANGER CREW XP FULL SIZE STD/EPS	2016-17	2,3,4	AT-08503	19-1005
570 RANGER ETX 570	2015	2,4	AT-08503	19-1005
570 RANGER FULL-SIZE 4X4	2015-21	2,4	AT-08503	19-1005
570-6 RANGER CREW	2018	4	AT-08503	19-1005
570 RZR EFI	2012-20	2,4	AT-08503	19-1005
570 RZR S (60")	2017	2,4	AT-08503	19-1005
570 RZR TRAIL W/EPS	2015-17	2,4	AT-08503	19-1005
700 RANGER EFI 4X4 ALL	2005-09	2,4,5,7	AT-08503	19-1005
700 RANGER EFI 6X6	2006-09	2,4,7,10,11	AT-08503	19-1005
800 RANGER 4X4 EFI All	2010-11	2,4	AT-08503	19-1005
800 RANGER 6X6	2010-13	2,4,5,7,10,11	AT-08503	19-1005
800 RANGER CREW	2012-13	2,4	AT-08503	19-1005
800 RZR 4x4	2008-14	2,4	AT-08503	19-1005
800 RZR 4 4x4	2011-14	2,3,4	AT-08503	19-1005
800 RZR S 4x4	2008-14	2,4	AT-08503	19-1005
800 RZR XC (55")	2014	2,4	AT-08503	19-1005
900 ACE EFI 4X4	2016-19	2,4	AT-08503	19-1005
900 RANGER CREW 4X4 ALL OPTIONS	2014-17	2,3,4	AT-08503	19-1005
900 RANGER DIESEL/CREW	2011-13	2,4,5,7	AT-08503	19-1005
900 RZR 4 4X4	2015-17	2,3,4	AT-08503	19-1005
900 RZR 4 XP	2012-13	2,4	AT-08503	19-1005
900 RZR 50/55/60 INCH ALL	2015-20	2,3,4	AT-08503	19-1005
900 RZR XP EFI (BUILT 11/22/10 & BEFORE)	2011	2,4	AT-08503	19-1005
900 RZR XP EFI (BUILT 11/22/10 & AFTER)	2011-13	2,4	AT-08573	19-1016
1000 GENERAL 4X4	2016-17	2,3,4	AT-08503	19-1005
1000 GENERAL 4P 4X4 ALL	2017-21	2	AT-08503	19-1005
1000 RANGER DIESEL HST/DELUXE	2014	2,4	AT-08503	19-1005
1000 RANGER DIESEL CREW 4X4	2015-20	2,3,4	AT-08503	19-1005



UNIVERSAL JOINTS

08

NEW ITEMS IN BLUE | UPDATED APPLICATIONS IN RED

APPLICATION	YEAR	LOCATION	NI #	REF#
POLARIS				
UTV				
1000 RANGER DIESEL 4X4	2016-20	2,4	AT-08503	19-1005
1000 RANGER CREW XP ALL	2019-20	3	AT-08503	19-1005
1000 RANGER CREW XP Std/EPS	2017-18	2,3,4	AT-08503	19-1005
1000 RANGER CREW XP HIGH LIFTER ED.	2017	2,3,4	AT-08503	19-1005
1000 RANGER CREW XP Northstar HVAC Ed	2017-18	2,3,4	AT-08503	19-1005
1000 RZR 60" 4X4 (ALL OPTIONS)	2016-21	2,3,4	AT-08503	19-1005
1000 RZR XP 4X4	2015-18	4	AT-08503	19-1005
1000 RZR S 4	2019-20	2,3,4	AT-08503	19-1005
1000 RZR XP (all options)	2019-21	2,3,4	AT-08503	19-1005
1000 RZR XP/S/4 4X4	2018	4	AT-08503	19-1005
1000 RZR XP/S/4 4X4	2019-21	2,3,4	AT-08503	19-1005
RZR XP TURBO STD/FOX/DYNAMIX/LE/S	2018-21	4	AT-08503	19-1005
RZR XP TURBO 4 STD/FOX/DYNAMIX ED/LE	2018-21	4	AT-08503	19-1005
BRUTUS HD HDPTO	2014	2,4	AT-08503	19-1005

SUZUKI				
250 OZARK 2X4	2002-14	6	AT-08515	19-1003
250 QUAD RUNNER 2X4	1988-94	9	AT-08537	64710-19B10
250 QUAD RUNNER 2X4	1988-94	8	AT-08536	27501-19B11
250 QUAD RUNNER 2X4	1988-94	5,7	AT-08509	19-1001
250 QUAD RUNNER 2X4	2001	9	AT-08537	64710-19B10
250 QUAD RUNNER 2X4	2001	8	AT-08536	27501-19B11
250 QUAD RUNNER 2X4	2001-02	2,4	AT-08518	27200-73813
250 QUAD RUNNER 4X4	1987-93	9	AT-08537	64710-19B10
250 QUAD RUNNER 4X4	1987-93	8	AT-08536	27501-19B11
250 QUAD RUNNER 4X4	1987-93	6	AT-08497	19-1009
250 QUAD RUNNER 4X4	1987-93	2,4	AT-08509	19-1001
250 QUAD RUNNER 4X4	1994-00	9	AT-08537	64710-19B10
250 QUAD RUNNER 4X4	1994-00	6	AT-08497	19-1009
250 QUAD RUNNER 4X4	1994-00	2,4	AT-08509	19-1001
250 QUAD RUNNER 4X4	2001-02	9	AT-08537	64710-19B10
250 QUAD RUNNER 4X4	2001-02	6	AT-08515	19-1003
250 QUAD SPORT 2X4	2004-06	6	AT-08515	19-1003
300 KING QUAD 4X4	1991-93	9	AT-08538	64710-39D00
300 KING QUAD 4X4	1991-93	8	AT-08536	27501-19B11
300 KING QUAD 4X4	1994-95	9	AT-08538	64710-39D00
300 KING QUAD 4X4	1994-95	8	AT-08536	27501-19B11
300 KING QUAD 4X4	1994-95	6	AT-08497	19-1009
300 KING QUAD 4X4	1996-98	9	AT-08538	64710-39D00
300 KING QUAD 4X4	1996-98	6	AT-08497	19-1009
300 KING QUAD 4X4	1999-00	9	AT-08538	64710-39D00
300 KING QUAD 4X4	1999-00	6	AT-08497	19-1009
300 KING QUAD 4X4	1999-00	2,4	AT-08518	27200-73813
300 KING QUAD 4X4	2001-02	9	AT-08538	27200-73813
300 KING QUAD 4X4	2001-02	6	AT-08515	19-1003
300 KING QUAD 4X4	2001-02	2,4	AT-08518	27200-73813
300 QUAD RUNNER 4X4	1994	9	AT-08538	64710-39D00
300 QUAD RUNNER 4X4	1994	8	AT-08536	27501-19B11
300 QUAD RUNNER 4X4	1994	6	AT-08497	19-1009
300 QUAD RUNNER 4X4	1995	9	AT-08538	64710-39D00
300 QUAD RUNNER 4X4	1995	6	AT-08497	19-1009
400 EIGER 2X4	2002-04	6	AT-08515	19-1003
400 EIGER 4X4	2002-06	2,5,7	AT-08515	19-1003
400 KING QUAD 2X4	2008-09	6	AT-08515	19-1003
400 KING QUAD 4X4	2008-22	4,5,7	AT-08515	19-1003
450 KING QUAD	2008-10	2,4	AT-08515	19-1003
500 KING QUAD	2009-22	2,4	AT-08518	27200-73813
500 QUAD RUNNER 4X4	1998-00	5	AT-08497	19-1009
500 QUAD RUNNER 4X4	1998-02	2,4	AT-08518	27200-73813
500 QUAD RUNNER 4X4	1998-02	5	AT-08509	19-1001



UNIVERSAL JOINTS

08

NEW ITEMS IN BLUE | UPDATED APPLICATIONS IN RED

APPLICATION	YEAR	LOCATION	NI #	REF#
SUZUKI				
500 QUAD MASTER 4X4	2000	2,5	AT-08497	19-1009
500 QUAD MASTER 4X4	2001	2	AT-08515	19-1003
500 QUAD MASTER 4X4	2001	5,7	AT-08497	19-1009
500 QUAD RUNNER 4X4	2002	2,5,7	AT-08515	19-1003
500 VINSON 4X4	2002-07	2,4,5	AT-08515	19-1003
500 VINSON 4X4	2002-07	7	AT-08497	19-1009
700 KING QUAD 4X4	2005-07	2,4	AT-08518	27200-73813
700 KING QUAD 4X4	2005-07	7	AT-08509	19-1001
750 KING QUAD	2008-22	2,4	AT-08518	27200-73813
UTV				
QUV620F	2005	2,3,4	AT-08513	1205-0153

YAMAHA				
225 MOTO-4 2X4	1989-91	5	AT-08509	19-1001
250 BEARTRACKER 2X4	1999-04	5	AT-08509	19-1001
250 BIG BEAR 2X4	2007-08	6	AT-08500	19-1003
250 BRUIN 2X4	2006	6	AT-08500	19-1003
250 MOTO-4 2X4	1986-88	5	AT-08509	19-1001
250 TIMBERWOLF 2X4	1992-98	5	AT-08509	19-1001
250 TIMBERWOLF 4X4	1994-00	2,4	AT-08516	5GT-46187-00
250 TIMBERWOLF 4X4	1994-00	5,7	AT-08509	19-1001
300 GRIZZLY 2X4	2014	5,7	AT-08500	19-1003
350 BIG BEAR 4X4	1986	2,4	AT-08500	19-1003
350 BIG BEAR 4X4	1987-95	2,4	AT-08516	5GT-46187-00
350 BIG BEAR 4X4	1987-95	5,7	AT-08492	19-1018
350 BIG BEAR 4X4	1996-99	2,4	AT-08516	5GT-46187-00
350 BIG BEAR 4X4	1996-99	5,7	AT-08492	19-1018
350 GRIZZLY 2X4	2007-08	6	AT-08500	19-1003
350 GRIZZLY 4X4 EXCL. IRS	2007-08	5	AT-08500	19-1003
350 GRIZZLY 4X4 W/IRS	2007-11	1,4,5,7	AT-08500	19-1003
350 GRIZZLY 4X4 W/IRS	2012-13	5,7	AT-08500	19-1003
350 MOTO-4	1987-95	5,7	AT-08492	19-1018
400 BIG BEAR 4X4	1995-05	5,7	AT-08492	19-1018
350 WOLVERINE 2X4	2006-08	6	AT-08500	19-1003
350 WOLVERINE 4X4	1995-98	2,4	AT-08500	19-1003
350 WOLVERINE 4X4	1995-98	5,7	AT-08509	19-1001
400 BIG BEAR 2X4	2000-01	5,7	AT-08492	19-1018
400 BIG BEAR 4X4	2000-01	5,7	AT-08492	19-1018
400 BIG BEAR 4X4	2006	2,4	AT-08500	19-1003
400 BIG BEAR 4X4	2008-12	1,4,5,7	AT-08500	19-1003
400 BIG BEAR 4X4 W/IRS	2007-08	1,4,5,7	AT-08500	19-1003
400 GRIZZLY 4X4 EXCL. IRS	2007	5,7	AT-08500	19-1003
400 GRIZZLY 4X4 W/IRS	2007-08	1,4,5,7	AT-08500	19-1003
400 KODIAK 4X4	1993-97	2,4	AT-08516	5GT-46187-00
400 KODIAK 4X4	1993-97	5,7	AT-08492	19-1018
400 KODIAK 4X4	1998-99	2,4	AT-08500	19-1003
400 KODIAK 4X4	2005-06	5,7	AT-08500	19-1003
450 KODIAK 4X4	2003-06	1,4,5,7	AT-08500	19-1003
450 KODIAK STD/EPS/SE	2018-21	5,7	AT-08500	19-1003
450 GRIZZLY 4X4	2009-13	1,4,5,7	AT-08500	19-1003
600 GRIZZLY 4X4	1998	2,4	AT-08516	5GT-46187-00
600 GRIZZLY 4X4	1998	5,7	AT-08492	19-1018
UTV				
450 RHINO 4X4	2006	2,4	AT-08500	19-1003
450 WOLVERINE 4X4	2007-08	6	AT-08500	19-1003
660 RHINO 4X4	2004-07	2,4	AT-08500	19-1003
700 RHINO 4X4	2008-13	2,4	AT-08500	19-1003
700 VIKING	2014-22	2,4	AT-08500	19-1003
700 WOLVERINE	2016-17	2,4	AT-08500	19-1003
850 WOLVERINE X4	2018-21	2,4	AT-08492	19-1018

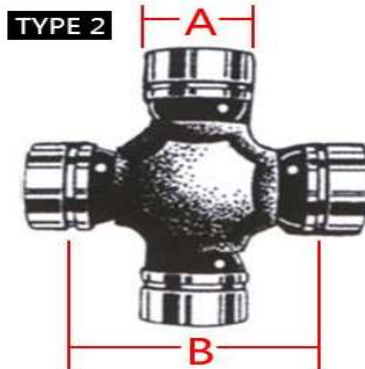
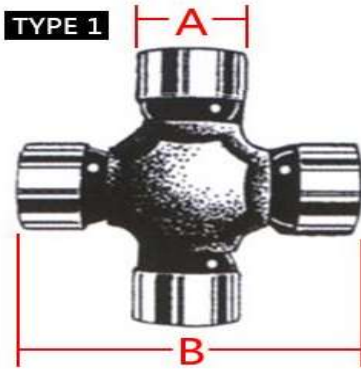


UNIVERSAL JOINTS

08

NEW ITEMS IN BLUE | UPDATED APPLICATIONS IN RED

APPLICATION	YEAR	LOCATION	NI #	REF#
YAMAHA				
UTV				
850 WOLVERINE X2 R-SPEC	2019-21	2,4	AT-08492	19-1018
1000 YXZ1000R Std / SE / SS / SS SE	2016-22	2	AT-08500	19-1003



NI#	TYPE	A(MM)	B(MM)
AT-08496	2	30	55,20
AT-08497	2	25,02	39,98
AT-08500	2	20,04	34,65
AT-08501	2	25,41	56,10
AT-08502	2	27,02	42,07
AT-08503	2	23,83	36,81
AT-08507	1	22,04	54,10
AT-08509	2	25,03	41,25
AT-08513	2	22,06	31,15
AT-08515	2	20,02	36,49
AT-08516	2	20,03	37,27
AT-08518	2	25,01	41,96
AT-08529	1	22,05	55,1
AT-08531	2	16,02	23,9
AT-08532	1	22,02	55,33
AT-08533	1	25,02	64,71
AT-08534	2	24,00	36,07
AT-08535	2	20,02	28,73
AT-08536	2	22,06	32,51
AT-08537	2	20,04	31,35
AT-08538	2	20,05	30,95
AT-08539	2	22,00	45,85
AT-08573	1	21,31	49,14